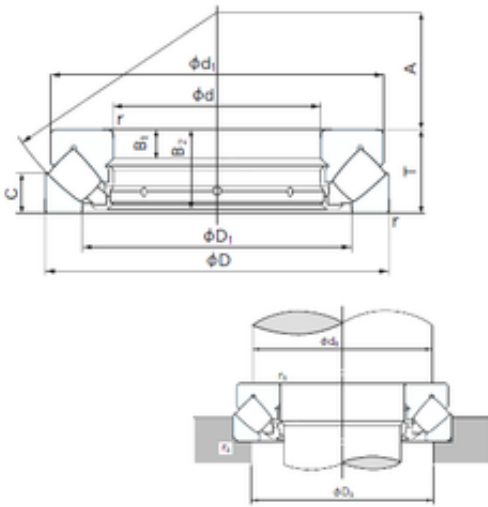




# NTN BEARING CORP.OF AMERICA



90 mm x 155 mm x 13 mm NACHI 29318E  
thrust roller bearings

Bearing No. 29318E

Size	90x155x39 mm
Bore Diameter	90 mm
Outer Diameter	155 mm
Width	39 mm
d	90 mm
D	155 mm
T	39 mm
d1	148.5 mm
r min.	1.5 mm
A	52 mm
B1	13 mm
B2	37 mm
C	19 mm
D1	117 mm
da min.	120 mm
Da max.	140 mm
ra max.	1.5 mm
Weight	3.06 Kg
Basic dynamic load rating (C)	300 kN
Basic static load rating (C0)	1040 kN
Category	Bearings
Inventory	0.0
Manufacturer Name	NACHI
Minimum Buy Quantity	N/A
Weight / Kilogram	0

29318E Bearing 2D drawings and 3D CAD models



## NTN BEARING CORP.OF AMERICA

Product Group	B04311
Bore Type	Cylindrical Bore
Enclosure	Open
Configuration	Single Row
Bore Size	90 mm
Outside Diameter	155 mm
Fillet Radius/Chamfer	1.5 mm
Width	39 mm
Dynamic Load Rating	300,000 N
Static Load Rating	1,040,000 N
Limiting Speed - Oil	2,700 rpm
B	13 mm
da (min)	120 mm
Da (max)	140 mm
ra (max)	1.5 mm