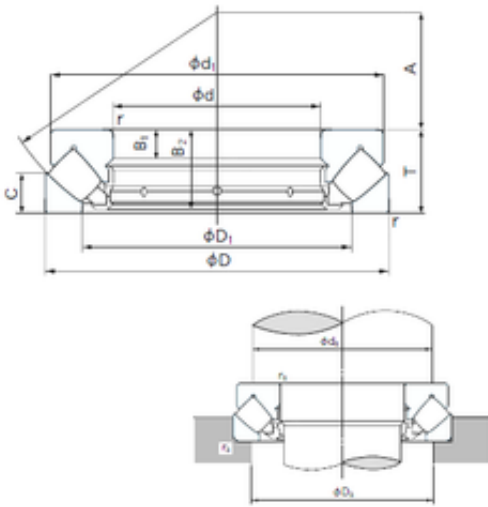




NTN BEARING CORP.OF AMERICA

260 mm x 360 mm x 19 mm NACHI 29252E thrust roller bearings

Bearing No. 29252E



29252E Bearing 2D drawings and 3D CAD models

Size	260x360x60 mm
Bore Diameter	260 mm
Outer Diameter	360 mm
Width	60 mm
d	260 mm
D	360 mm
T	60 mm
d1	350 mm
r min.	2.1 mm
A	139 mm
B1	19 mm
B2	57 mm
C	30 mm
D1	302 mm
da min.	305 mm
Da max.	325 mm
ra max.	2 mm
Weight	18.5 Kg
Basic dynamic load rating (C)	915 kN
Basic static load rating (C0)	4250 kN
Bore Type	Cylindrical Bore
Enclosure	Open
Configuration	Single Row
Bore Size	260 mm
Outside Diameter	360 mm



NTN BEARING CORP.OF AMERICA

Fillet Radius/Chamfer	2.1 mm
Width	60 mm
Dynamic Load Rating	915,000 N
Static Load Rating	4,250,000 N
Limiting Speed - Oil	1,300 rpm
B	19 mm
da (min)	305 mm
Da (max)	325 mm
ra (max)	2 mm