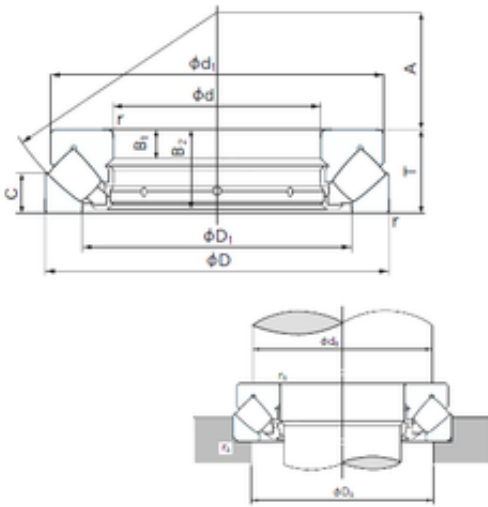




NTN BEARING CORP.OF AMERICA



75 mm x 160 mm x 18 mm NACHI 29415E thrust roller bearings

Bearing No. 29415E

29415E Bearing 2D drawings and 3D CAD models

Size	75x160x51 mm
Bore Diameter	75 mm
Outer Diameter	160 mm
Width	51 mm
d	75 mm
D	160 mm
T	51 mm
d1	152 mm
r min.	2 mm
A	47 mm
B1	18 mm
B2	48 mm
C	24 mm
D1	109 mm
da min.	113 mm
Da max.	132 mm
ra max.	2 mm
Weight	4.98 Kg
Basic dynamic load rating (C)	445 kN
Basic static load rating (C0)	1380 kN
Category	Bearings
Inventory	0.0
Manufacturer Name	NACHI
Minimum Buy Quantity	N/A
Weight / Kilogram	0



NTN BEARING CORP.OF AMERICA

Product Group	B04311
Bore Type	Cylindrical Bore
Enclosure	Open
Configuration	Single Row
Bore Size	75 mm
Outside Diameter	160 mm
Fillet Radius/Chamfer	2 mm
Width	51 mm
Dynamic Load Rating	445,000 N
Static Load Rating	1,380,000 N
Limiting Speed - Oil	2,300 rpm
B	18 mm
da (min)	113 mm
Da (max)	132 mm
ra (max)	2 mm