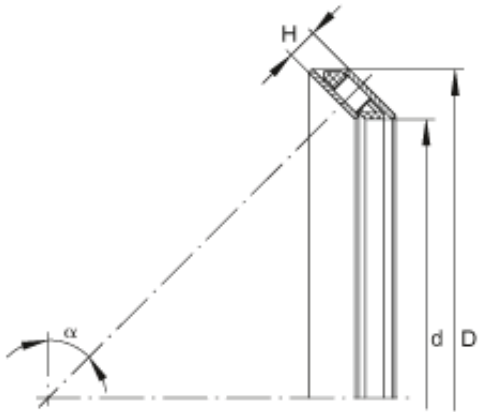




# NTN BEARING CORP.OF AMERICA



## INA AXS0816 thrust roller bearings

Bearing No. AXS0816

Size	8x16x3 mm
Bore Diameter	8 mm
Outer Diameter	16 mm
Width	3 mm
d	8 mm
D	16 mm
H	3 mm / Tolerance: +0,26 / +0,06
$D_a$ - 8 mm / Tolerance: -0,05 / -0,15	8 mm / Tolerance: 0,05 / 0,15
$d_a$	16,3 mm / Tolerance: +0,15 / +0,05
	45 ° / Angle 60 °
m	3 g / Weight
$C_a$	3600 N / Dynamic load rating (axial)
$C_{0a}$	6300 N / Static load rating (axial)
$C_r$	1510 N / Dynamic load rating (radial)

AXS0816 Bearing 2D drawings and 3D CAD models