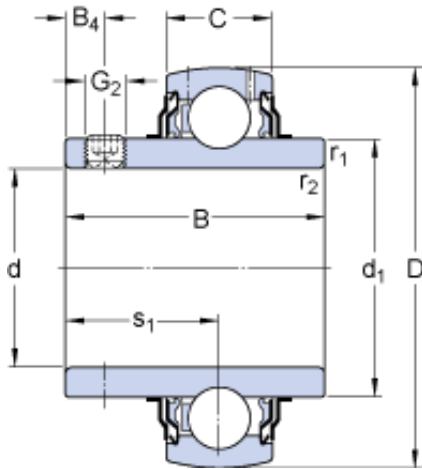




NTN BEARING CORP.OF AMERICA



31.75 mm x 72 mm x 42.9 mm SKF YAR
207-104-2F deep groove ball bearings

Bearing No. YAR 207-104-2F

YAR 207-104-2F Bearing 2D drawings and 3D CAD models

Size	72x31.75x42.9 mm
Bore Diameter	72 mm
Outer Diameter	31,75 mm
Width	42,9 mm
d	31.75 mm
D	72 mm
B	42.9 mm
C	19 mm
d ₁	46.1 mm
B ₄	6 mm
r _{1,2} - min.	1 mm
s ₁	25.4 mm
Basic dynamic load rating - C	25.5 kN
Basic static load rating - C ₀	15.3 kN
Fatigue load limit - P _u	0.655 kN
Limiting speed with shaft tolerance h6	5300 r/min
Calculation factor - f ₀	14
Mass bearing	0.52 kg
Thread - G ₂ - 5/16-24 UNF	5/1624 UNF
Hexagonal key size for grub screw - H	3.969 mm
Category	Insert Bearings Spherical OD
Inventory	0.0



NTN BEARING CORP.OF AMERICA

Manufacturer Name	SKF
Minimum Buy Quantity	N/A
Weight / Kilogram	0.515
EAN	7316577754578
Product Group	M06110
Inner Race Profile	Wide Inner Ring
Outer Race Profile	Spherical
Relubricatable	Yes
Seal Type	M Seal
Mounting Method	Set Screw
Rolling Element	Ball Bearing
Snap Ring	No
Long Description	1-1/4" Bore; Wide Inner Ring; Ball Bearing; 1.689" Length Thru Bore; 0.748" Outer Race Width; 2.835" Outside Diameter; Relubricatable; M Seal Seal; Set Screw Mounting Method
Inch - Metric	Inch
Other Features	Single Row Medium Duty Grub Screw Has Flinger
Category	Insert Bearings
UNSPSC	31171536
Harmonized Tariff Code	8482.10.50.00
Noun	Bearing
Keyword String	Insert
Manufacturer URL	http://www.skf.com
Manufacturer Item Number	YAR 207-104-2F
Weight / LBS	0.904
Outer Race Width	0.748 Inch 18.999 Millimeter
Length Thru Bore	1.689 Inch 42.901 Millimeter



NTN BEARING CORP.OF AMERICA

Bore	1.25 Inch 31.75 Millimeter
Outside Diameter	2.835 Inch 72.009 Millimeter
bore diameter:	1.2500 in
radial dynamic load capacity:	25.5 kN
outside diameter:	72 mm
radial static load capacity:	15.3 kN
outer ring width:	19 mm
finish/coating:	Uncoated
inner ring width:	42.9 mm
maximum rpm:	5300 RPM
bore type:	Round
seal type:	Contact with Flinger
locking device:	Set Screw
d_1	46.1 mm
B_4	6 mm
$r_{1,2}$ min.	1 mm
s_1	25.4 mm
Basic dynamic load rating C	25.5 kN
Basic static load rating C_0	15.3 kN
Fatigue load limit P_u	0.655 kN
Limiting speed ¹⁾	5300 r/min
Calculation factor f_0	14
Mass complete bearing	0.5 kg
Thread grub screw G_2	5/16-24 UNF
Hexagonal key size for grub screw N	3.969 mm
Recommended tightening torque for grub screw	6.5 N · m