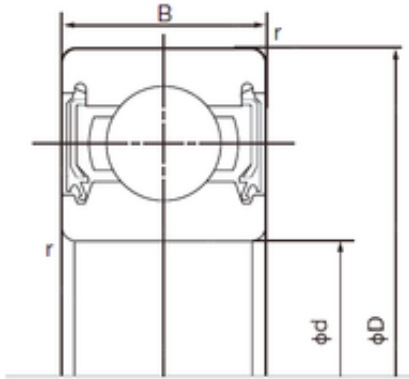




# NTN BEARING CORP.OF AMERICA

40 mm x 68 mm x 15 mm NACHI 6008-2NSE9  
deep groove ball bearings



Bearing No. 6008-2NSE9

6008-2NSE9 Bearing 2D drawings and 3D CAD models

Size	40x68x15 mm
Bore Diameter	40 mm
Outer Diameter	68 mm
Width	15 mm
d	40 mm
D	68 mm
B	15 mm
C	15 mm
r min.	1.0 mm
Basic dynamic load rating (C)	16,8 kN
Basic static load rating (C0)	11,5 kN
Category	Ball Bearings
Inventory	0.0
Manufacturer Name	NACHI
Minimum Buy Quantity	N/A
Weight / Kilogram	0.19
EAN	4991893515961
Product Group	B00308
Bore Type	Cylindrical Bore
Enclosure	Double Seal
Configuration	Single Row
Weight	0.194 kg
Bore Size	40 mm
Outside Diameter	68 mm
Width	15 mm



## NTN BEARING CORP.OF AMERICA

Fillet Radius/Chamfer	1 mm
Dynamic Load Rating	16,800 N
Static Load Rating	11,500 N
Limiting Speed - Grease	6,100 rpm
Factor fo	15.3
Radial Clearance	0.006 to 0.020 mm
da (min)	45 mm
Da (max)	63 mm
ra (max)	1 mm