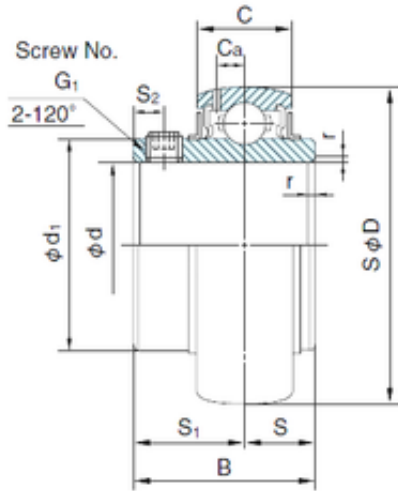




# NTN BEARING CORP.OF AMERICA



70 mm x 130 mm x 77.8 mm NACHI UCX14 deep groove ball bearings

Bearing No. UCX14

Size	70x130x77.8 mm
Bore Diameter	70 mm
Outer Diameter	130 mm
Width	77.8 mm
d	70 mm
D	130 mm
B	77.8 mm
C	30 mm
S1	44.5 mm
Ca	9.2 mm
d1	91.5 mm
r	2.5 mm
S	33.3 mm
S2	12 mm
Thread (G)	M12 × 1.5
Weight	2.57 Kg
Basic dynamic load rating (C)	66 kN

UCX14 Bearing 2D drawings and 3D CAD models