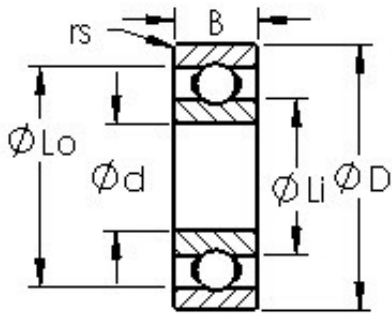




NTN BEARING CORP.OF AMERICA



AST 6002 deep groove ball bearings

Bearing No. 6002

Size	15x32x9 mm
Bore Diameter	15 mm
Outer Diameter	32 mm
Width	9 mm
Bearing Type	Open
Bore Dia (d)	15.0000
Outer Dia (D)	32.0000
Width (B)	9.0000
Radius (min) (rs)	0.300
Dynamic Load Rating (Cr)	5,600
Static Load Rating (Cor)	2,850
Max Speed (Grease) (X1000 RPM)	23
Max Speed (Oil) (X1000 RPM)	27
Max. Shaft Shoulder Dia. Inner (Li)	20.2
Min. Housing Shoulder Dia., Outer (Lo)	27.0
Ball Qty	9
Ball Dia (Dw)	4.7620
Weight (g)	30.00
Precision	A1
Standard Clearance	C0
Material	52100 Chrome Steel or equivalent

6002 Bearing 2D drawings and 3D CAD models