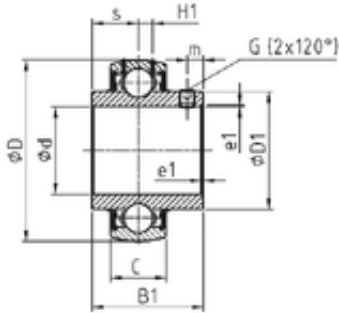




# NTN BEARING CORP.OF AMERICA



## SNR UC214 deep groove ball bearings

Bearing No. UC214

Size	70x125x30 mm
Bore Diameter	70 mm
Outer Diameter	125 mm
Width	30 mm
d	70 mm
D	125 mm
B1	74,6 mm
C	30 mm
e	2 mm
a	6 mm
m	12 mm
s	30,2 mm
D1	86,5 mm
H1	9 mm
Thread (G)	M12x1,25
Weight	2,05 Kg
Basic dynamic load rating (C)	62 kN

UC214 Bearing 2D drawings and 3D CAD models