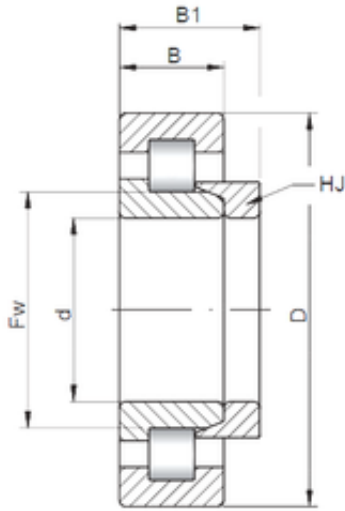




NTN BEARING CORP.OF AMERICA



110 mm x 200 mm x 38 mm ISO NH222
cylindrical roller bearings

Bearing No. NH222

Size	110x200x38 mm
Bore Diameter	110 mm
Outer Diameter	200 mm
Width	38 mm
d	110 mm
D	200 mm
B	38 mm
C	38 mm
B1	11 mm
B2	17 mm

NH222 Bearing 2D drawings and 3D CAD models