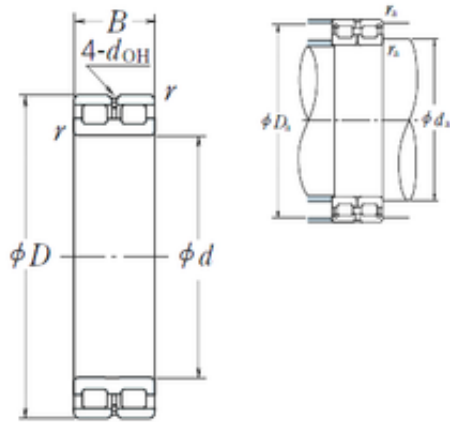




NTN BEARING CORP.OF AMERICA



60 mm x 85 mm x 25 mm NSK RSF-4912E4 cylindrical roller bearings

Bearing No. RSF-4912E4

RSF-4912E4 Bearing 2D drawings and 3D CAD models

Size	60x85x25 mm
Bore Diameter	60 mm
Outer Diameter	85 mm
Width	25 mm
d	60 mm
D	85 mm
B	25 mm
C	25 mm
r min.	1 mm
da min.	65 mm
Da max.	80 mm
ra max.	1 mm
Weight	0,46 Kg
Basic dynamic load rating (C)	68,5 kN
Basic static load rating (C0)	118 kN
(Grease) Lubrication Speed	1600 r/min
hidYobi	RSF-4912E4
LangID	1
D_	85
B_	25
hidTable	ecat_NSCLDRS
Oil rpm	1600
mass	0.46
GRS rpm	3200
ra	1



NTN BEARING CORP.OF AMERICA

da_min	65
C0	118
DE_	79
Prod_Type3	CRB_FRFS_OT_FREE
DA_	6
Z_	38
yobi	RSF-4912E4
da_max	80
SDM_	73
r	1
KBRG	4210
disp	1.5
DI_	67
doh	2.5