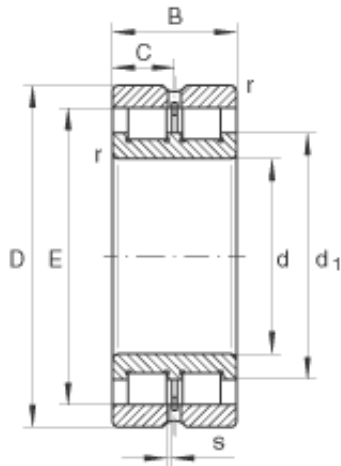




NTN BEARING CORP.OF AMERICA



300 mm x 420 mm x 118 mm INA SL024960
cylindrical roller bearings

Bearing No. SL024960

SL024960 Bearing 2D drawings and 3D CAD models

Size	300x420x118 mm
Bore Diameter	300 mm
Outer Diameter	420 mm
Width	118 mm
d	300 mm
D	420 mm
B	118 mm
C	59 mm
d ₁	340,7 mm
E	385,51 mm
r _{min}	3 mm
s	6 mm / Axial displacement
	NNCL4960V / Designation to DIN 5412
m	51,9 kg / Weight
C _r	1630000 N / Dynamic load rating (radial)
C _{0r}	3700000 N / Static load rating (radial)
C _{ur}	405000 N / Fatigue limit load, radial
n _G	870 1/min / Limiting speed
Category	Bearings
Inventory	0.0
Manufacturer Name	SCHAEFFLER GROUP
Minimum Buy Quantity	N/A



NTN BEARING CORP.OF AMERICA

Weight / Kilogram	62.149
Product Group	B04144