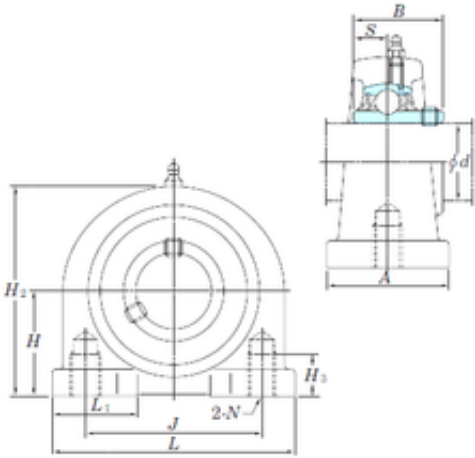




NTN BEARING CORP.OF AMERICA

KOYO UCPA207-20 bearing units

Bearing No. UCPA207-20



UCPA207-20 Bearing 2D drawings and 3D CAD models

Bore Diameter	31.75 mm
Width	42,9 mm
d	31.75 mm
H3	20 mm
A	55 mm
B	42,9 mm
H	47,6 mm
H2	93 mm
J	80 mm
L	110 mm
L1	41 mm
S	17,5 mm
Bolt (G)	M14 × 2
Weight	1,7 Kg
Basic dynamic load rating (C)	25,7 kN
Basic static load rating (C0)	15,4 kN