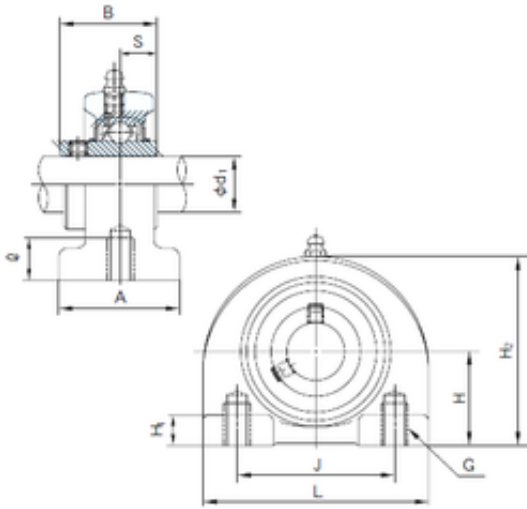




NTN BEARING CORP.OF AMERICA



UCPA208 Bearing 2D drawings and 3D CAD models

NACHI UCPA208 bearing units

Bearing No. UCPA208

Bore Diameter	40 mm
Width	49.2 mm
d	40 mm
A	54 mm
B	49.2 mm
H	49.2 mm
H1	12 mm
H2	100 mm
J	84 mm
L	116 mm
S	19 mm
	20 Tolerance h14
Thread (G)	M14 × 2
Category	Bearings
Inventory	0.0
Manufacturer Name	NACHI
Minimum Buy Quantity	N/A
Weight / Kilogram	0
Product Group	M06110