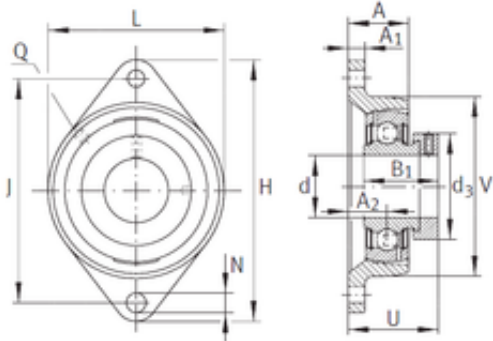




NTN BEARING CORP.OF AMERICA

INA PCJT2-3/16 bearing units



Bearing No. PCJT2-3/16

Bore Diameter	55,563 mm
d	55,563 mm
V	134,493 mm
U	67,488 mm
Thread (Q)	1/8 NPT
d3	75,997 mm
A	45,999 mm
A1	16,993 mm
B	48,489 mm
H	226,009 mm
J	183,998 mm
L	134,493 mm
N	16,993 mm
A2	30,988 mm

PCJT2-3/16 Bearing 2D drawings and 3D CAD models