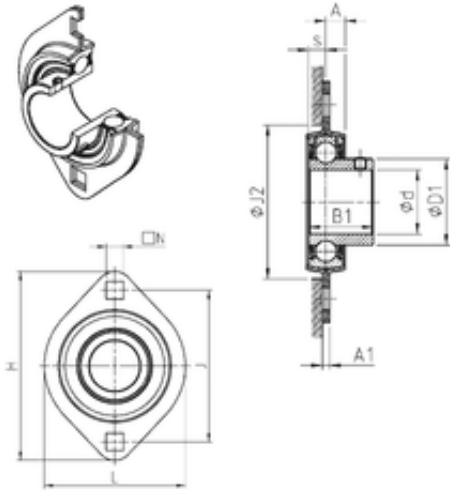




NTN BEARING CORP.OF AMERICA



SNR USPFL205 bearing units

Bearing No. USPFL205

Bore Diameter	25 mm
d	25 mm
s	7,5 mm
A	8,7 mm
A1	4 mm
B1	27 mm
D1	34 mm
H	95,2 mm
J	76,2 mm
L	71 mm
N	8,7 mm
J2	60 mm
Weight	0,4 Kg
Basic dynamic load rating (C)	14 kN

USPFL205 Bearing 2D drawings and 3D CAD models