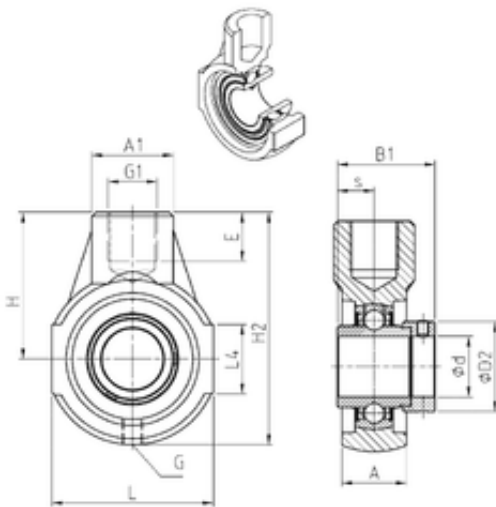




# NTN BEARING CORP.OF AMERICA

## SNR EXEHE209 bearing units

Bearing No. EXEHE209



EXEHE209 Bearing 2D drawings and 3D CAD models

Bore Diameter	45 mm
d	45 mm
L4	45 mm
s	21,4 mm
A	40 mm
A1	40 mm
B1	56,3 mm
D2	63,5 mm
E	24 mm
G1	M24 mm
H	90 mm
H2	145 mm
L	110 mm
Thread (G)	R1/8"
Weight	2,1 Kg
Basic dynamic load rating (C)	31,85 kN
A2	40 mm
B	42.8 mm
A5	21.4 mm
d1	62 mm
G	R1/8"
L1	90 mm
L3	45 mm
s1	39.7 mm
S	21.4 mm
SW	4 mm



## NTN BEARING CORP.OF AMERICA

C	31.85 kN
C0	20.8 kN
T min.	-20 ° C
T max.	100 ° C
Recommended tightening torque for set screw	11.5 Nm
Designation of housing	EHE209-
Designation of bearing	EX209G2