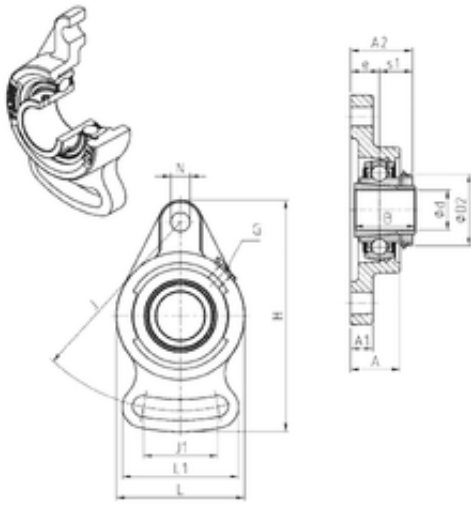




# NTN BEARING CORP.OF AMERICA

## SNR UKFA207H bearing units

Bearing No. UKFA207H



UKFA207H Bearing 2D drawings and 3D CAD models

Bore Diameter	30 mm
d	30 mm
e	19 mm
s1	22,5 mm
A	34 mm
A1	16 mm
B	43 mm
D2	52 mm
H	161 mm
J	130 mm
L	90 mm
L1	82 mm
N	15 mm
Thread (G)	M6x1
A2	41,5 mm
J1	66 mm
Weight	1,6 Kg
Basic dynamic load rating (C)	25,7 kN