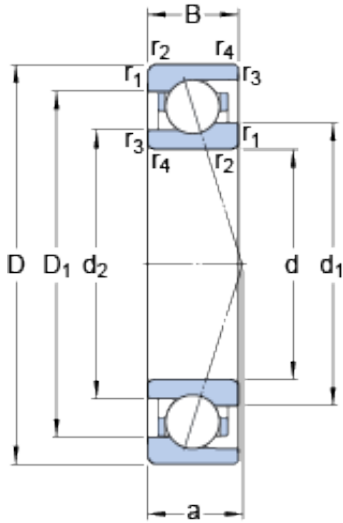




NTN BEARING CORP.OF AMERICA



50 mm x 72 mm x 12 mm SKF 71910 CE/P4A angular contact ball bearings

Bearing No. 71910 CE/P4A

71910 CE/P4A Bearing 2D drawings and 3D CAD models

Size	72x50x12 mm
Bore Diameter	72 mm
Outer Diameter	50 mm
Width	12 mm
d	50 mm
D	72 mm
B	12 mm
d ₁	56.7 mm
d ₂	54.9 mm
D ₁	65.3 mm
r _{1,2} - min.	0.6 mm
r _{3,4} - min.	0.3 mm
a	14.7 mm
d _a - min.	53.2 mm
d _b - min.	52 mm
D _a - max.	68.8 mm
D _b - max.	70 mm
r _a - max.	0.6 mm
r _b - max.	0.3 mm
d _n	58.4 mm
Basic dynamic load rating - C	12.7 kN
Basic static load rating - C ₀	8.6 kN
Fatigue load limit - P _u	0.365 kN
Limiting speed for grease	26000 r/min



NTN BEARING CORP.OF AMERICA

Lubrication	
Limiting speed for oil lubrication	40000 mm/min
Ball - D_w	7.144 mm
Ball - z	21
G_{ref}	1.7 cm3
Calculation factor - f_0	8.4
Preload class A - G_A	69 N
Preload class B - G_B	210 N
Preload class C - G_C	410 N
Calculation factor - f	1.15
Calculation factor - f	1
Calculation factor - f_{2A}	1
Calculation factor - f_{2B}	1.04
Calculation factor - f_{2C}	1.08
Calculation factor - f_{HC}	1
Preload class A	38 N/micron
Preload class B	61 N/micron
Preload class C	83 N/micron
Category	Precision Ball Bearings
Inventory	0.0
Manufacturer Name	SKF
Minimum Buy Quantity	N/A
Weight / Kilogram	0
Product Group	B04270
Enclosure	Open
Precision Class	ABEC 7 ISO P4
Material - Ball	Steel
Number of Bearings	1 (Single)
Contact Angle	15 Degree
Preload	None



NTN BEARING CORP.OF AMERICA

Raceway Style	1 Rib Inner Ring and Outer Ring
Cage Material	Phenolic
Rolling Element	Ball Bearing
Flush Ground	No
Inch - Metric	Metric
Other Features	Single Row Angular Contact High Speed E Design
Long Description	50MM Bore; 72MM Outside Diameter; 12MM Width; Open Enclosure; ABEC 7 ISO P4 Precision; Steel Ball Material; 1 (Single) Bearing; 15 Degree Contact Angle; Phenolic Cage Material; 1 Rib Inner Ring and
Category	Precision Ball Bearings
UNSPSC	31171531
Harmonized Tariff Code	8482.10.50.28
Noun	Bearing
Keyword String	Ball Angular Contact
Manufacturer URL	http://www.skf.com
Width	0.472 Inch 12 Millimeter
Bore	1.969 Inch 50 Millimeter
Outside Diameter	2.835 Inch 72 Millimeter
d ₁	56.7 mm
d ₂	54.9 mm
D ₁	65.3 mm
r _{1,2} min.	0.6 mm
r _{3,4} min.	0.3 mm
d _a min.	53.2 mm
d _b min.	52 mm
D _a max.	68.8 mm
D _b max.	70 mm



NTN BEARING CORP.OF AMERICA

r_a max.	0.6 mm
r_b max.	0.3 mm
d_n	58.4 mm
Basic dynamic load rating C	12.7 kN
Basic static load rating C_0	8.65 kN
Fatigue load limit P_u	0.365 kN
Attainable speed for grease lubrication	26000 r/min
Attainable speed for oil-air lubrication	40000 r/min
Ball diameter D_w	7.144 mm
Number of balls z	21
Reference grease quantity G_{ref}	1.7 cm ³
Preload class A G_A	69 N
Static axial stiffness, preload class A	38 N/ μ m
Preload class B G_B	210 N
Static axial stiffness, preload class B	61 N/ μ m
Preload class C G_C	410 N
Static axial stiffness, preload class C	83 N/ μ m
Calculation factor f	1.15
Calculation factor f_1	1
Calculation factor f_{2A}	1
Calculation factor f_{2B}	1.04
Calculation factor f_{2C}	1.08
Calculation factor f_{HC}	1
Calculation factor f_0	8.4
Mass bearing	0.13 kg